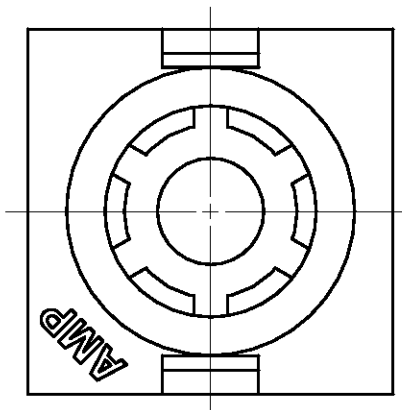
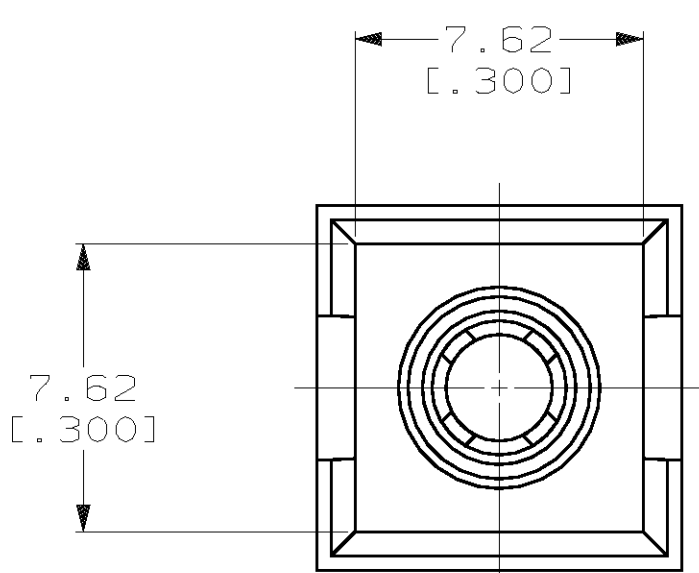
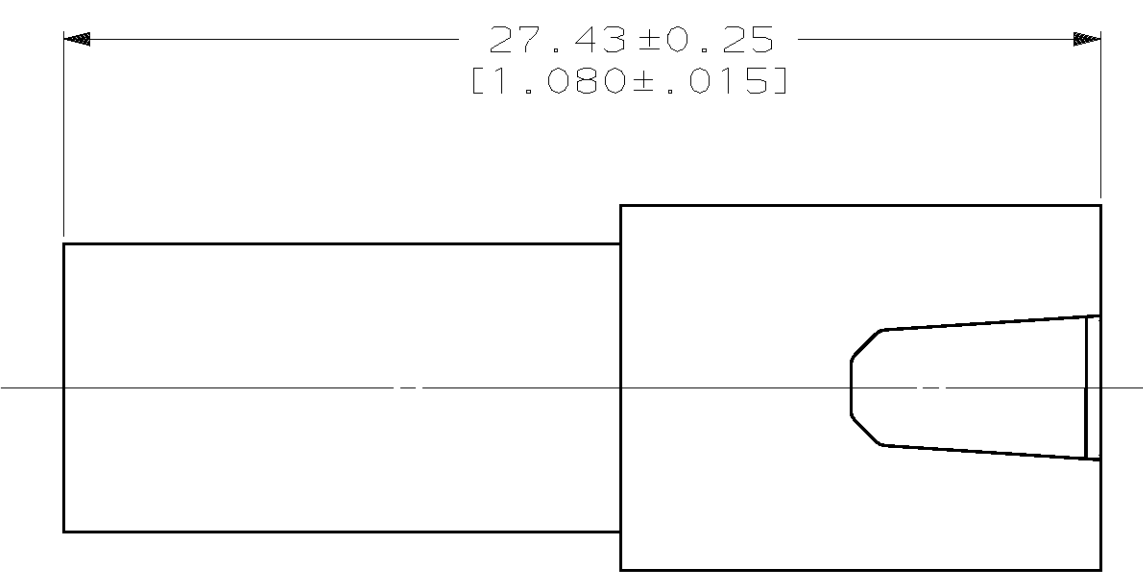
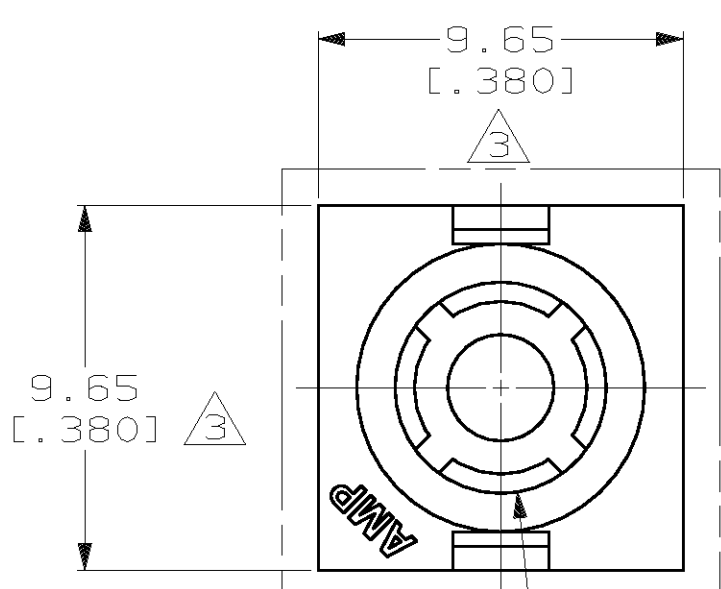
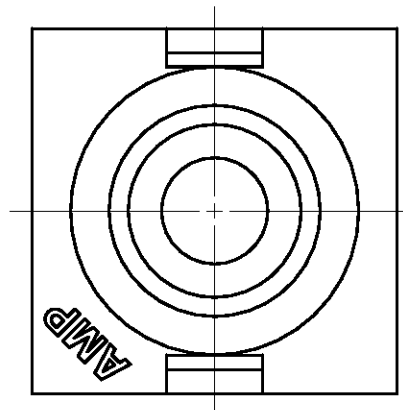
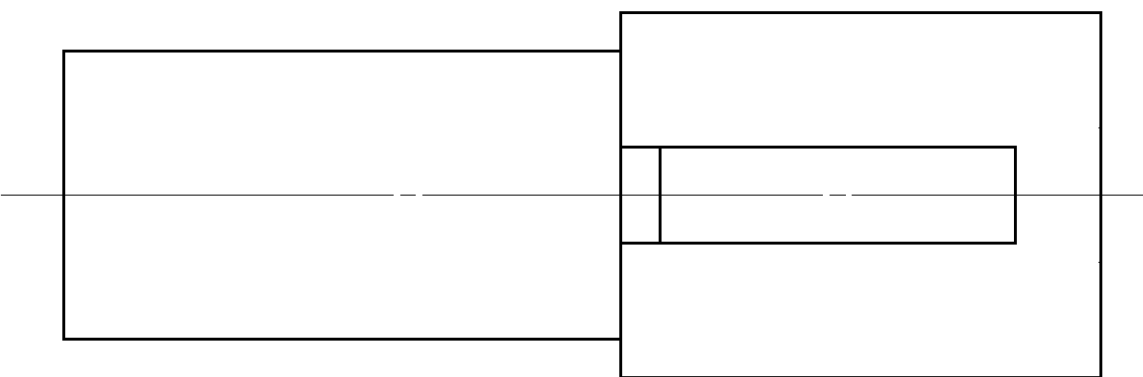


THIS DRAWING IS UNPUBLISHED. RELEASED FOR PUBLICATION
 © COPYRIGHT 19 BY AMP INCORPORATED. ALL INTERNATIONAL RIGHTS RESERVED.

LOC	DIST	REVISIONS			
CM	53	P	F	ZONE	LTR
DESCRIPTION					
J REV PER EC 0G1B-0184-98					
DATE					APPD
03-NOV-98					JH RS

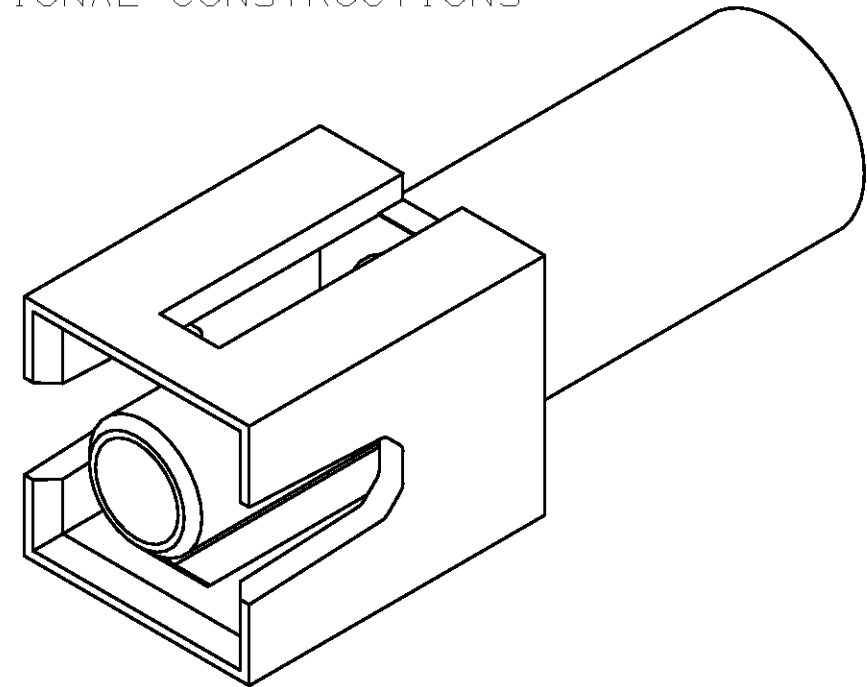


SEE DETAIL A



- MATES WITH HOUSING 350867.
- DIMENSIONS IN BRACKETS ARE IN INCHES.
- DIMENSION INDICATED IS AS MOLDED. ADDITIONAL GROWTH DUE TO SUBSEQUENT MOISTURE ABSORPTION MAY OCCUR.
- FOUR RIBS EQUALLY SPACED, NO SPECIFIC ORIENTATION. NO RIBS OR SIX RIBS EQUALLY SPACED, NO SPECIFIC ORIENTATION, OPTIONAL.

DETAIL A
 OPTIONAL CONSTRUCTIONS



3-DIMENSIONAL MODEL
 NTS

METRIC

770421-1
 PART NO

DO NOT SCALE PRINT. UNLESS SPECIFIED DIMENSIONS IN mm [INCHES] TOLERANCES ON : 2 PLC DEC ± 0.13 [0.005] 3 PLC DEC ± - ANGLES ± - MATERIAL NYLON, UL 94V-2 NATURAL		DR 8-12-91 K. WHITAKER	AMP Incorporated Harrisburg, PA 17105-3608
FINISH -	APPLICATION SPEC -	CHK 8-12-91 R. SWING	
		APPD 8-12-91 D. SELF	NAME CAP, SINGLE CIRCUIT, UNIVERSAL MATE-N-LOK™
		APPD 8-12-91 D. SELF	SIZE C 00779
		PRODUCT SPEC -	DRAWING NO 770421
		WEIGHT -	SCALE 5:1
			SHEET 1 OF 1